

QCT15 Series

SMD TCXO, 14 Pin Dip, Clipped Sine Wave

Frequency	10.000 MHz. ~ 40.000 MHz	
Output Level	Clipped Sine Wave	
Level	1.0 Vp-p Min	
Output Load	20KΩ/10 pF	
Stability		
Frequency vs. Temperature	See Table below for Frequency Stability	
Frequency vs. Supply Voltage	±0.3 ppm Max ±5%	
Frequency vs. Load	±0.2 ppm Max	
Aging @ 25°C	± 1.0 ppm/year Max	
Tolerance @ 25°C	±0.5 ppm	
Mechanical Adjustment Range	± 3 ppm min	
Supply Voltage	5.0 Vdc ±5%	3.3 Vdc ±5%
Current	3 mA Max	3 mA Max
Temperature		
Operating	See Table below for Operating Temperature	
Storage	-40°C to +125°C	

Frequency Stability in ± ppm

Operating Temperature Range	Code	1.5	2.0	2.5	3.0	3.5	4.0	4.5	5.0
		0°C ~ +50°C	F	**	**	**	**	**	**
-10°C ~ +60°C	G	**	**	**	**	**	**	**	**
-10°C ~ +70°C	B	**	**	**	**	**	**	**	**
-20°C ~ +70°C	C	**	**	**	**	**	**	**	**
-30°C ~ +60°C	I		**	**	**	**	**	**	**
-30°C ~ +70°C	J		**	**	**	**	**	**	**
-30°C ~ +75°C	H			**	**	**	**	**	**
-40°C ~ +80°C	K					**	**	**	**

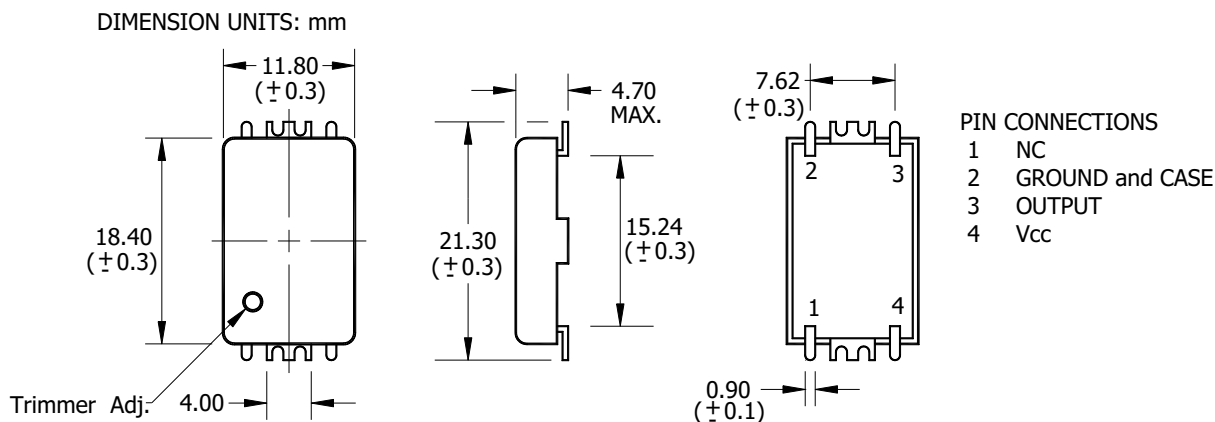
Part Number Guide

Sample Part #:

QCT15-FT3-20.000

Part Number	Temperature Range	Frequency Stability	Supply Voltage	Frequency
QCT15	F = 0°C ~ +50°C	T = ±2.0 ppm	3=3.3 Vdc or 5=5.0 Vdc	20.000 MHz

** Indicates Availability



QVS TECH INC

6965 El Camino Real, Ste 105 Carlsbad, CA 92009 Phone: 760-929-8677 Fax: 760-929-8077

email: sales@qvstech.com

Specifications subject to change without notice (Rev A)