

QCTV50 Series

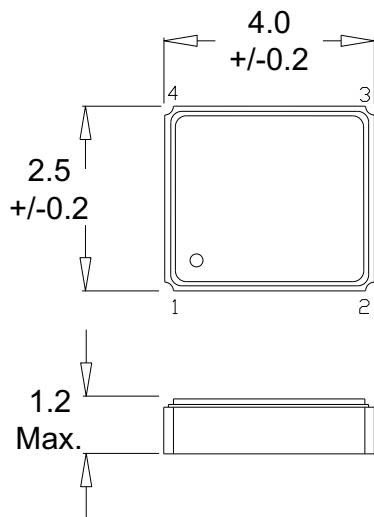
Pb free/RoHS Compliant

SMD 4.0 mm x 2.5 mm x 1.2 mm

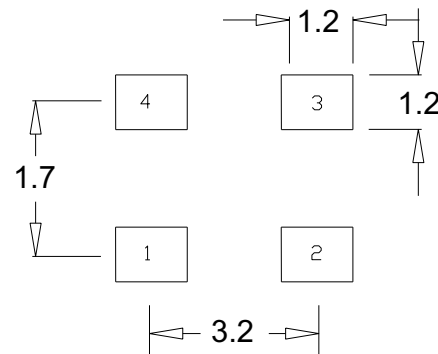
Frequency	12.60 TO 26.00 MHz
Output Level	Clipped Sine Wave
Level	0.8 V _{p-p} Min.
Output Load	10K Ω / 10 pF ±10%
Stability	
Frequency vs. Temperature	±2.5 ppm Max.
Frequency vs. Load	±0.2 ppm Max.
Aging @ 25°C	± 1.0 ppm / year Max.
Tolerance @ 25°C	±0.5 ppm
Control Voltage	1.5 Vdc ±1 VDC
Control Voltage Range	±5 ppm Min., ±15 ppm Max.
Supply Voltage	3.0 Vdc ±5%
Current	2.0 mA Max @ +3.0 VDC
Temperature	
Operating	-20°C to +70°C
Storage	-40°C to +85°C
Part Number	QCT50 – XXX - Frequency

Part Number Guide		Sample Part #: QCT50-C23-20.000		
	Temperature Range	Frequency Stability	Supply Voltage	Frequency
QCT50	C = -20°C to +70°C	2 = ±2.5 ppm	3 = 3.0 VDC, ± 5%	20.000 MHz
			2 = 2.8 VDC, ±5%	
			1 = 2.7 VDC, ± 5%	
			4 = 2.5 VDC, ± 0.1 VDC	

Unit dimension: mm



Connection and recommended pad layout



- 1 VC/ NC
- 2 Ground
- 3 Output
- 4 Vcc

QVS Tech