

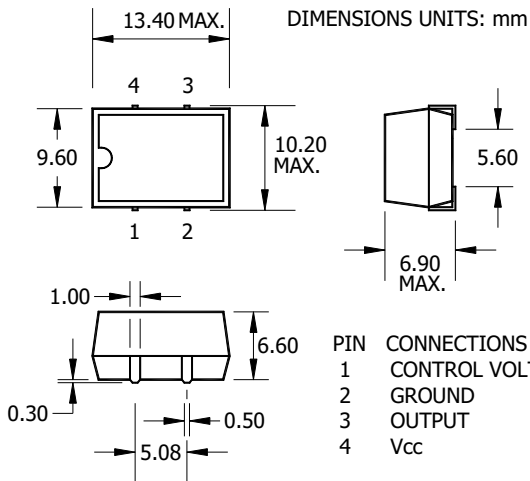
QCV25 Series

SMD VCXO, 13.4x9.6x6.6mm, HCMOS

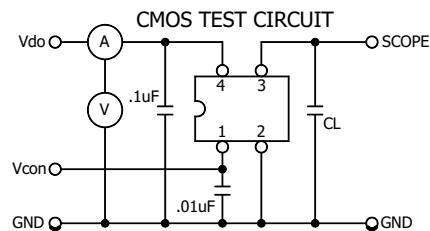
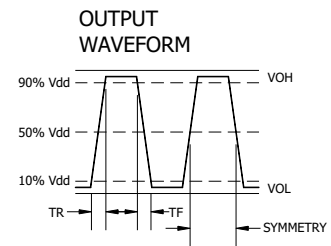
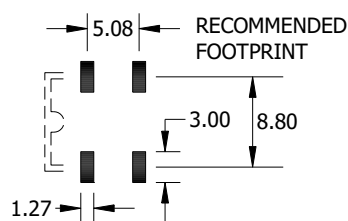
Frequency	8.000 MHz ~ 36.000 MHz
Output Level	HCMOS
Level	'0'=0.1 Vcc Max., '1'=0.9 Vcc Min.
Duty Cycle	40/60%
Rise/ Fall Time	8 nS Max
Output Load	15 pF
Stability	
Frequency vs. Temperature	± 50.0 ppm Max.
Aging @ 25°C	± 3.0 ppm/year Max
Control Voltage	See Table
Voltage Control Range	See Table
Supply Voltage	5.0Vdc ±5% or 3.3 Vdc ±5%
Current	30 mA Max
Temperature	
Operating	0°C ~ +70°C
Storage	-40°C to +125°C
Series	QCV25

Part Number Guide **Sample Part #:** **QCV25-A215-20.000**

	Temperature Range	Frequency Stability	Pullability	Voltage Code	Frequency
QCV25	A (0°C ~ +70°C)	2 (± 50 ppm)	1 (± 100 ppm)	5	20.000 MHz
Supply Voltage	Voltage Control	Pullability/Voltage Control Range			
3 = 3.3 Vdc	1.65 ± 1.5 Vdc	2 = ± 50 ppm Min.			
5 = 5.0 Vdc	2.5 ± 2.0 Vdc	1 = ± 100 ppm Min.			



- PIN CONNECTIONS**
- 1 CONTROL VOLTAGE
 - 2 GROUND
 - 3 OUTPUT
 - 4 Vcc



QVS TECH INC

6965 El Camino Real, Ste 105 Carlsbad, CA 92009 Phone: 760-929-8677 Fax: 760-929-8077

Email: sales@qvstech.com

Specifications subject to change without notice (Rev A)