

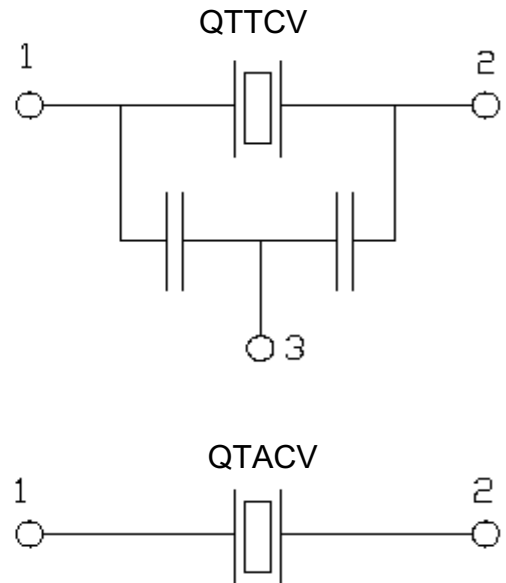
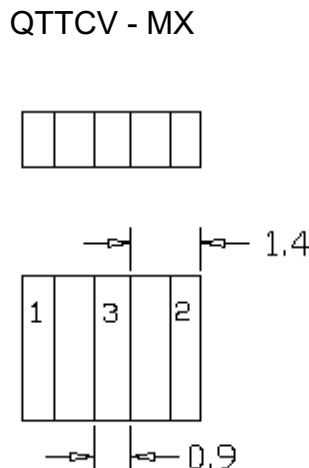
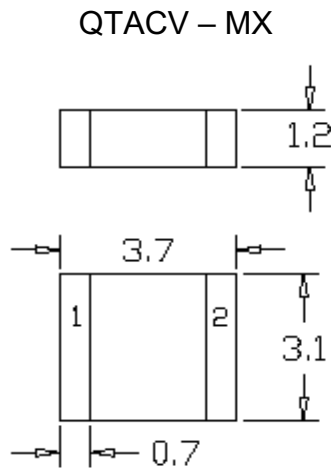
SMD Ceramic Resonator with or without internal caps

Frequency Range (MHz)	7 MHz to 50 MHz
Equivalent Series Resistance (Ω)	See Table
Frequency Tolerance	$\pm 0.5\%$
Frequency Stability over Temperature	$\pm 0.3\%$
Aging	$\pm 0.3\%$ Max. for 10 Years
Temperature	
Operating	-20°C to $+80^{\circ}\text{C}$ Standard
Storage	-40°C to $+85^{\circ}\text{C}$ Standard
Environmental / Tape and Reel	See Application notes for Environmental information and Tape and Reel information
Package Information	* MSL = N.A., Termination = e1

* The terminations of the QTACV and QTTCV series ceramic resonator are Pb free. Pb is contained in the ceramic resonator element of this device and is exempted via item 7 of the RoHS annex. This ceramic resonator series is considered RoHS compliant.

Part	Freq. (MHz)	ESR (Ω Max.)	C1 (pF)	C2 (pF)
QTTCV-MX	13 to 19.9	40	30	30
QTTCV-MX	20 to 25.9	40	15	15
QTTCV-MX	26 to 50	40	5	5
QTACV-MX	7 to 12.9	60	30*	30*
QTACV-MX	13 to 19.9	40	30*	30*
QTACV-MX	20 to 25.9	40	15*	15*
QTACV-MX	26 to 50	40	5*	5*

* Recommended external capacitance, not internal to the device.



Dimension Units: mm

Part Number Guide	Sample Part Number:	QTACV - MX - 16.00
Part Series	Package Code	Frequency
QTACV -	MX	- 16.00 MHz

QVS TECH INC

6965 El Camino Real, Ste 105-498 Carlsbad, CA 92009 Phone: 760-929-8677 • Fax: 760-929-8077

Email: sales@qvstech.com Specifications subject to change without notice