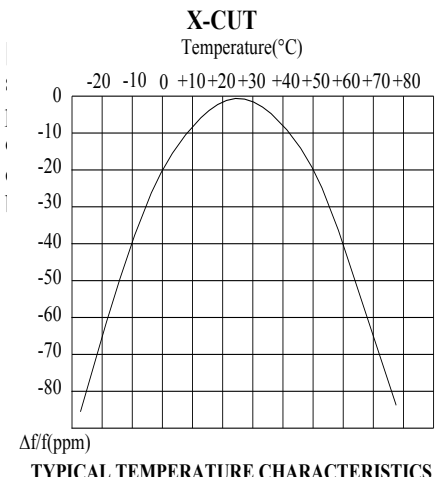
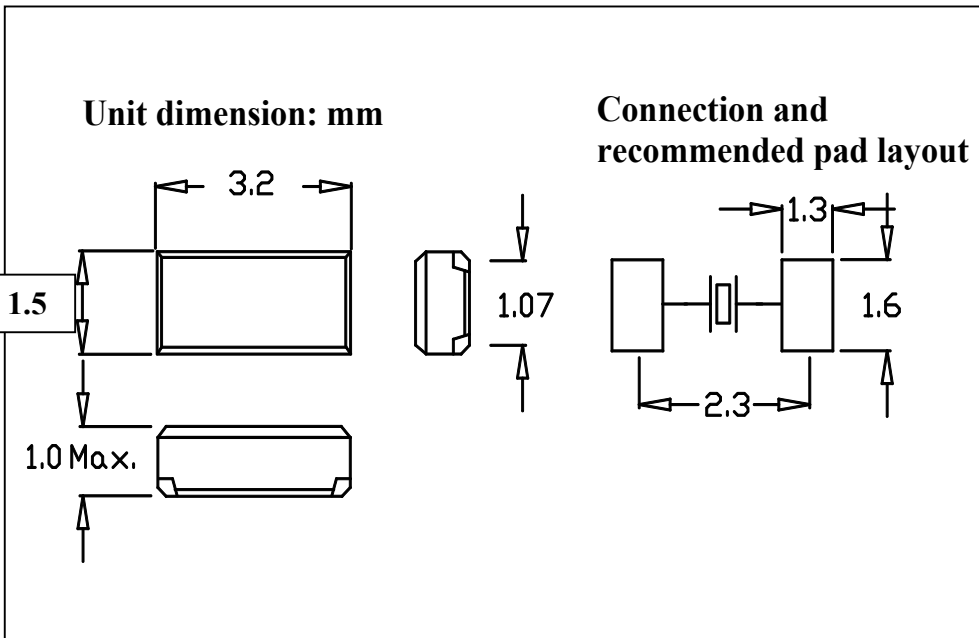


STANDARD SPECIFICATIONS	
Nominal Frequency	32.768KHz
Frequency Tolerance (25 °C)	± 20 ppm Standard (see Crystal Part Number Guide for more details)
Frequency Stability	- 0.035 ± 9 ppm / °C
Load Capacitance (CL)	12.5 pF Standard (see Crystal Part Number Guide for more details)
Shunt Capacitance (Co)	1.7pF Typ.
Equivalent Series Resistance (E.S.R.)	50 kΩ Max.
Isolation Resistance.	500MΩ Min.
Drive Level	0.1 –1.0 μW
Turnover Temperature	+25 °C
Operating Temperature Range	-20 °C to +70 °C Standard (see Crystal Part Number Guide for more details)
Storage Temperature Range	-55 °C to +125 °C Standard
Holder Type	QV3X

Ordering Instructions (see Crystal Part Number Guide for more details)

Example: QVS Part # = QV3X-7XCF12.5-32.768KHz

QV3X-	±20ppm(@ 25°)	See Graph	-20°C~+70°C	Mode	Load Cap.	Freq.
	7	X	C	F	12.5pF	32.768 KHz



QVS TECH INC

6965 El Camino Real, Ste 105 Carlsbad, CA 92009 Phone: 760-929-8677 Fax: 760-929-8077

email: sales@qvstech.com

Specifications subject to change without notice (Rev B)