

Thru-Hole Ceramic Resonator with Built in Capacitor

STANDARD SPECIFICATIONS

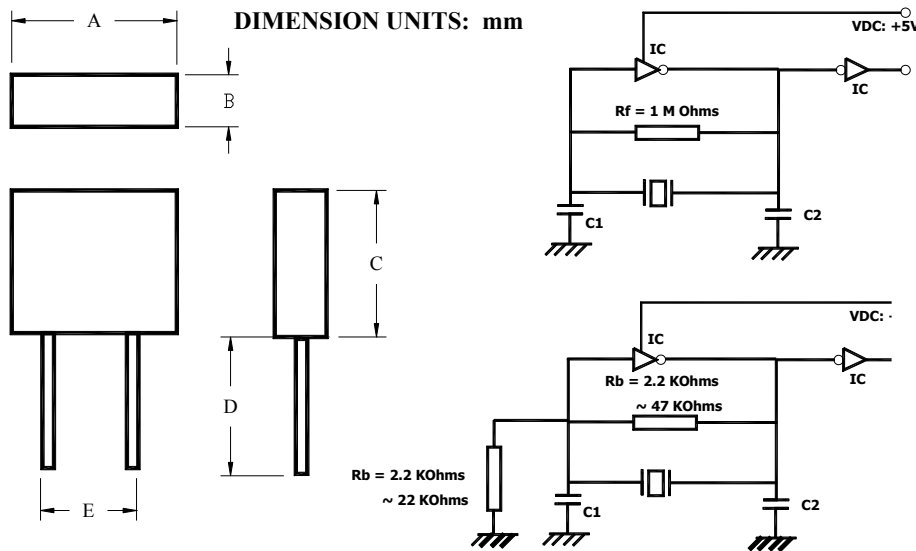
Part Number	Frequency Range KHz.	Frequency Accuracy @ 25°C	Temperature Stability °C	Aging For 10 Years	Operating Temperature °C	Resonant Impedance Ω	C1 pF $\pm 20\%$	C2 pF $\pm 20\%$
ZTB-A	190 ~ 249	± 1 KHz	$\pm 0.3\%$	$\pm 0.3\%$	-20 ~ +80	≤ 20	330	470
ZTB-B	250 ~ 374	± 1 KHz	$\pm 0.3\%$	$\pm 0.3\%$	-20 ~ +80	≤ 20	220	470
ZTB-C	375 ~ 429	± 2 KHz	$\pm 0.3\%$	$\pm 0.3\%$	-20 ~ +80	≤ 20	120	470
ZTB-D	430 ~ 519	± 2 KHz	$\pm 0.3\%$	$\pm 0.3\%$	-20 ~ +80	≤ 20	100	100
ZTB-E	520 ~ 699	± 2 KHz	$\pm 0.3\%$	$\pm 0.3\%$	-20 ~ +80	≤ 30	100	100
ZTB-F	700 ~ 999	$\pm 0.5\%$	$\pm 0.3\%$	$\pm 0.3\%$	-20 ~ +80	≤ 30	100	100
ZTB-G	1000 ~ 1250	$\pm 0.5\%$	$\pm 0.3\%$	$\pm 0.3\%$	-20 ~ +80	≤ 50	100	100

Part Number Guide

Sample Part #: **ZTB -A - 200.00 -T**

ZTB- Package – Frequency – Packaging

Packaging: Blank = Bulk , -T = Tape and Reel



Frequency Range KHz.	A Width	B Thickness	C Height	D Lead Length	E Lead Space
190 ~ 249	13.5	3.8	14.7	8.0	10.0
250 ~ 374	11.0	3.8	12.2	7.0	7.7
375 ~ 400	7.9	3.6	9.3	7.0	5.0
401 ~ 699	7.0	3.5	9.0	4.0 (6.0)	5.0
700 ~ 1250	5.2	2.8	6.8	3.5	2.5

QVS TECH INC

6965 El Camino Real, Ste 105 Carlsbad, CA 92009 Phone: 760-929-8677 Fax: 760-929-8077

Email: sales@qvstech.com

Specifications subject to change without notice (Rev A)