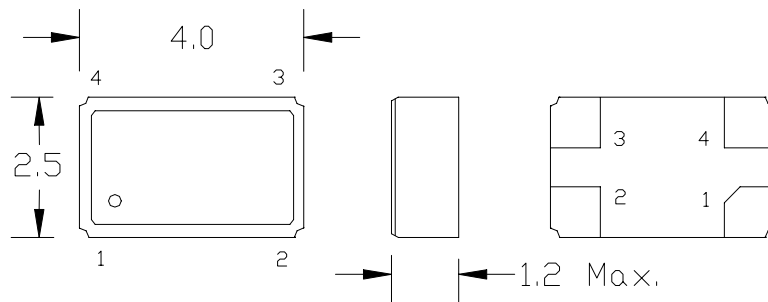
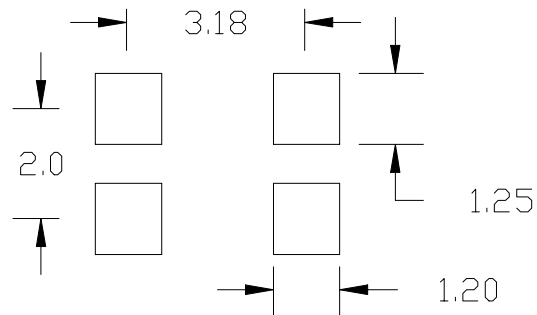


Frequency	12.600 MHz to 26.000 MHz
Output Level	Clipped Sine
Level	0.8 V p-p Min.
Output Load	10K Ohms / 10 pF
Frequency Stability	See Frequency Stability Table
Aging	± 1 ppm / Year Max.
Supply Voltage	See Supply Voltage Table, tolerance ±5 %
Current	2 mA Max. @ 3.0 VDC
Slope	Positive
Temperature	
Operating	See Operating Temperature Table
Storage	-40° C to +85° C
Environmental	See Application notes
Package Information	MSL = N.A., Termination = e4



Pin Connection
 1 Control Voltage
 2 GND
 3 Output
 4 Vcc



Dimension Units: mm

Part Number Guide		Sample Part Number: QCT60-B13-20.000		
Package and Output	Operating Temperature	Frequency Stability	Supply Voltage	Frequency
QCT60 -	B = 0° C to +50° C	1 = ±2.5 ppm	3 = 3.0 VDC	- 20.000 MHz
	A = 0° C to +70° C	2 = ±3.0 ppm	2 = 2.7 VDC	
	C = -20° C to +70° C	3 = ±5.0 ppm	1 = 2.5 VDC	

NOTE: A 0.01 µF bypass capacitor is recommended between Vcc (pin 4) and Gnd (pin 2) to minimize power supply noise.